

MOUNTS

Anti-Vibration: Stainless Steel & Zinc Plated

AM-Series

Sunnex AM-Series mounts are ideal for use in food and chemical processing as well as other applications where vibration isolation is a concern.

Sunnex Stainless Steel and Zinc-Plated machine mounts have no hidden pockets where dirt and moisture can collect, making them ideal for applications where equipment is constantly being cleaned or where corrosion of steel leveling mounts may be a problem.

All models are also available in zinc-plated steel for environments where corrosion is not a factor, yet require a high level of vibration isolation.

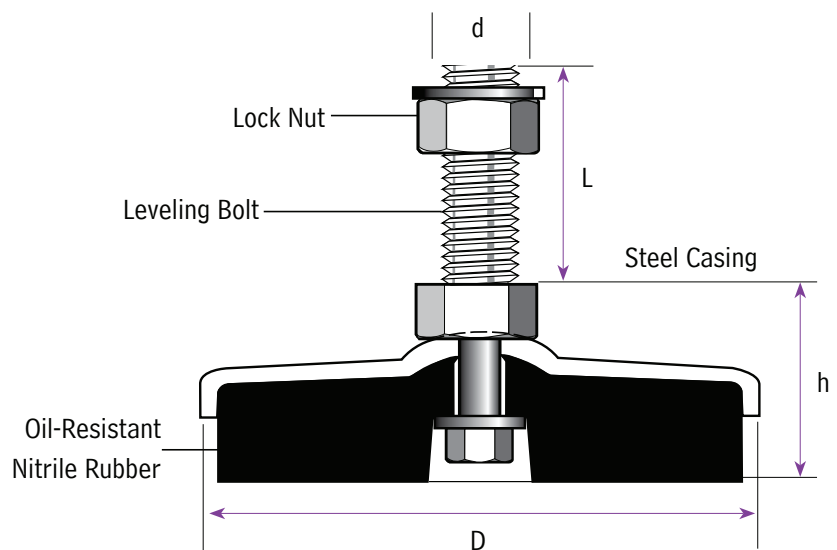


Advantages

- Corrosive resistant design
- Swivel up to $\pm 7.5^\circ$ for added flexibility
- Available in a wide variety of sizes for any application
- High-grade materials; Non-magnetic 304 grade stainless steel

Applications

- Food & Beverage Packaging Equipment
- Chemical Processing Machinery
- Medical Manufacturing Equipment
- Assembly Equipment
- Semiconductor Processing Equipment



See our Online Specifications:
<https://sunnexmounts.com/stainless-steel-level/>

Stainless Item No.	Zinc Plated Item No.	Load Capacity (lbs)	Base Diameter, D (in)	Leveling Bolt d x L	Base Height, h (in)	Overall Ht (in)
102152SS	102152ZP			1/2-13 x 2	15/16	2.94
102154SS	102154ZP			1/2-13 x 4		4.94
102156SS	102156ZP	250	2.64	1/2-13 x 6		6.94
102154SS	102154ZP			1/2-13 x 4		4.94
10211212SS	10211212ZP			M12-1.75 x 120		5.66
102252SS	102252ZP			1/2-13 x 2	15/16	2.94
102254SS	102254ZP			1/2-13 x 4		4.94
102256SS	102256ZP	500	2.64	1/2-13 x 6		6.94
102264SS	102264ZP			5/8-11 x 4	1	5.00
102266SS	102266ZP			5/8-11 x 6		7.00
10221212SS	10221212ZP			M12-1.75 x 120	15/16	5.66
10221612SS	10221612ZP			M16-2 x 120	1	5.66
103154SS	103154ZP			1/2-13 x 4	1 3/8	5.38
103156SS	103156ZP			1/2-13 x 6		7.38
103164SS	103164ZP	1000	3.86	5/8-11 x 4	1 7/16	5.44
103166SS	103166ZP			5/8-11 x 6		7.44
103168SS	103168ZP			5/8-11 x 8		9.44
1031610SS	1031610ZP			5/8-11 x 10		11.44
103174SS	103174ZP			3/4-10 x 4	1 9/16	5.56
103176SS	103176ZP			3/4-10 x 6		7.56
103178SS	103178ZP			3/4-10 x 8		9.56
1031710SS	1031710ZP			3/4-10 x 10		11.56
10311212SS	10311212ZP			M12-1.75 x 120	1 3/8	6.10
10311612SS	10311612ZP			M16-2 x 120	1 7/16	5.66
10312012SS	10312012ZP			M20-2.5 x 120		
103254SS	103254ZP			1/2-13 x 4	1 3/8	5.38
103256SS	103256ZP			1/2-13 x 6		7.38
103264SS	103264ZP	2000	3.86	5/8-11 x 4	1 7/16	5.44
103266SS	103266ZP			5/8-11 x 6		7.44
103268SS	103268ZP			5/8-11 x 8		9.44
1032610SS	1032610ZP			5/8-11 x 10		11.44
103274SS	103274ZP			3/4-10 x 4	1 9/16	5.56
103276SS	103276ZP			3/4-10 x 6		7.56
103278SS	103278ZP			3/4-10 x 8		9.56
1032710SS	1032710ZP			3/4-10 x 10		11.56
10321212SS	10321212ZP			M12-1.75 x 120	1 3/8	6.10
10321612SS	10321612ZP			M16-2 x 120	1 7/16	6.16
10322012SS	10322012ZP			M20-2.5 x 120	1 9/16	6.29
104154SS	104154ZP			1/2-13 x 4	1 15/16	5.94
104156SS	104156ZP			1/2-13 x 6		7.94
104164SS	104164ZP	3000	5.50	5/8-11 x 4	2	6.00
104166SS	104166ZP			5/8-11 x 6		8.00
104174SS	104174ZP			3/4-10 x 4	2 1/8	6.13
104176SS	104176ZP			3/4-10 x 6		8.13
104178SS	104178ZP			3/4-10 x 8		10.13
1041710SS	1041710ZP			3/4-10 x 10		12.13
10411612SS	10411612ZP			M16-2 x 120	2	6.72
10412012SS	10412012ZP			M20-2.5 x 120	2 1/8	6.85
10412412SS	10412412ZP			M24-3 x 120	2 1/4	6.97
104254SS	104254ZP			1/2-13 x 4	1 15/16	5.94
104256SS	104256ZP			1/2-13 x 6		7.94
104264SS	104264ZP	4000	5.50	5/8-11 x 4	2	6.00
104266SS	104266ZP			5/8-11 x 6		8.00
104274SS	104274ZP			3/4-10 x 4	2 1/8	6.13
104276SS	104276ZP			3/4-10 x 6		8.13
104278SS	104278ZP			3/4-10 x 8		10.13
1042710SS	1042710ZP			3/4-10 x 10		12.13
10421612SS	10421612ZP			M16-2 x 120	2	6.72
10422012SS	10422012ZP			M20-2.5 x 120	2 1/8	6.85
10422415SS	10422415ZP			M24-3 x 150	2 1/4	6.97

*Includes one nut & washer set

See back page for ordering information.