

MOUNTS

Leveling Mounts: Steel

LS/LP-Series

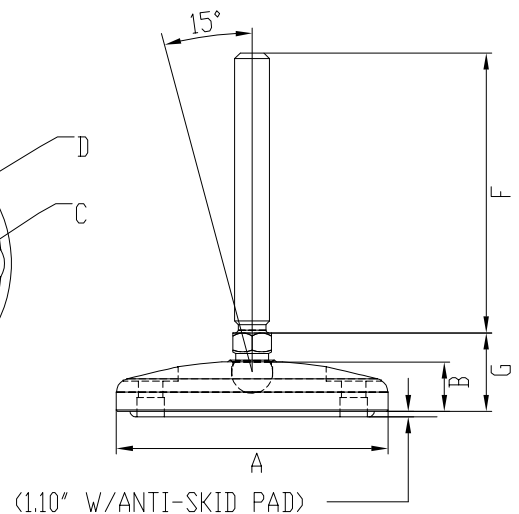
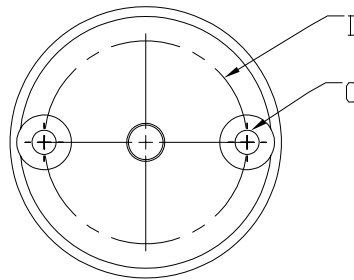
The Sunnex LS and LP-Series of leveling mounts offer the highest load capacity for leveling-only applications. In addition, the mounts have a reduced height profile for limited visibility.

The LS-Series stainless steel model offers corrosion resistance, a smooth surface, and a high quality appearance. The LP-Series cast zinc, powder coated model allows texture and color customization with corrosion resistance for the most demanding environments.



Applications

- Industrial Scales
- Small Scale Metal and Woodworking Machines
- Displays
- Conveyors
- Frame Systems
- Workstations



See our Online Specifications:

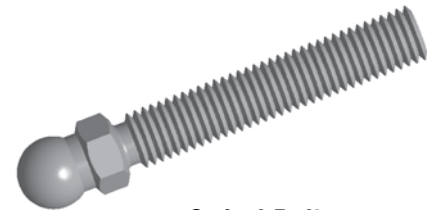
www.sunnexmounts.com/mounts/LS-series.htm
www.sunnexmounts.com/mounts/LP-series.htm

Metal Leveler Base: No Anchoring Holes

Item No.		Load (lbs)	Base Dia. (A)	Base Ht. (B)	Matl.
w/o Pads	w/ Pads				
S30TNP	S30TAP	4400	1.18	0.71	Steel
S40TNP	S40TAP	5500	1.57	0.71	Steel
S50TNP	S50TAP	6500	1.97	0.71	Steel
S60TNP	S60TAP	6800	2.36	0.71	Steel
S80TNP	S80TAP	7200	3.15	0.71	Steel
S100TNP	S100TAP	7600	3.94	0.71	Steel
S120TNP	S120TAP	7800	4.72	0.71	Steel
S30TNL	S30TAL	4400	1.18	0.71	304 SS
S40TNL	S40TAL	5500	1.57	0.71	304 SS
S50TNL	S50TAL	6500	1.97	0.71	304 SS
S60TNL	S60TAL	6800	2.36	0.71	304 SS
S80TNL	S80TAL	7200	3.15	0.71	304 SS
S100TNL	S100TAL	7600	3.94	0.71	304 SS
S120TNL	S120TAL	7800	4.72	0.71	304 SS



Swivel Base



Swivel Bolt

Metal Leveler Base: With Anchoring Holes

Item No.		Load (lbs)	Base Dia. (A)	Base Ht. (B)	Hole Dia C	Hole Ctr (D)	Matl.
w/o Pads	w/ Pads						
S80BNP	S80BAP	7200	3.15	0.71	0.35	2.17	Steel
S100BNP	S100BAP	7600	3.94	0.71	0.35	2.88	Steel
S120BNP	S120BAP	7800	4.72	0.71	0.35	2.88	Steel
S80BNL	S80BAL	7200	3.15	0.71	0.35	2.17	304 SS
S100BNL	S100BAL	7600	3.94	0.71	0.35	2.88	304 SS
S120BNL	S120BAL	7800	4.72	0.71	0.35	2.88	304 SS

See back page for ordering information.

* Ordering Information

Part No. =	BASE	_	BOLT
Part No. =	S80BAL	_	S1/2X6L

Metric Threads

Item No.		Thread E	Length F (mm)	Hex Ht G
Zinc	Stainless			
SM10X40Z	SM10X40L	M10-1.5	40	1.2
SM10X100Z	SM10X100L	M10-1.5	100	1.2
SM12X45Z	SM12X45L	M12-1.75	45	1.2
SM12X100Z	SM12X100L	M12-1.75	100	1.2
SM16X80Z	SM16X80L	M16-2.0	80	1.3
SM16X100Z	SM16X100L	M16-2.0	100	1.3
SM16X150Z	SM16X150L	M16-2.0	150	1.3

Inch Threads

Item No.		Thread E	Length F	Hex Ht G
Zinc	Stainless			
S3/8X4Z	S3/8X4L	3/8-16	4.0	1.2
S3/8X6Z	S3/8X6L	3/8-16	6.0	1.2
S1/2X2.5Z	S1/2X2.5L	1/2-13	2.5	1.2
S1/2X3.5Z	S1/2X3.5L	1/2-13	3.5	1.2
S1/2X4Z	S1/2X4L	1/2-13	4.0	1.2
S1/2X6Z	S1/2X6L	1/2-13	6.0	1.2
S5/8X2.5Z	S5/8X2.5L	5/8-11	2.5	1.3
S5/8X4Z	S5/8X4L	5/8-11	4.0	1.3
S5/8X6Z	S5/8X6L	5/8-11	6.0	1.3
S5/8X6.5Z	S5/8X6.5L	5/8-11	6.5	1.3
S3/4X4Z	S3/4X4L	3/4-10	4.0	1.3
S3/4X6Z	S3/4X6L	3/4-10	6.0	1.3
S3/4X6.5Z	S3/4X6.5L	3/4-10	6.5	1.3
S3/4X9.5Z	S3/4X9.5L	3/4-10	9.5	1.3

Visit Our Online Configurator:
www.sunnexmounts.com/mountsconfig