

# MOUNTS

## Leveling Casters



### Plate and Stud Type Mounts

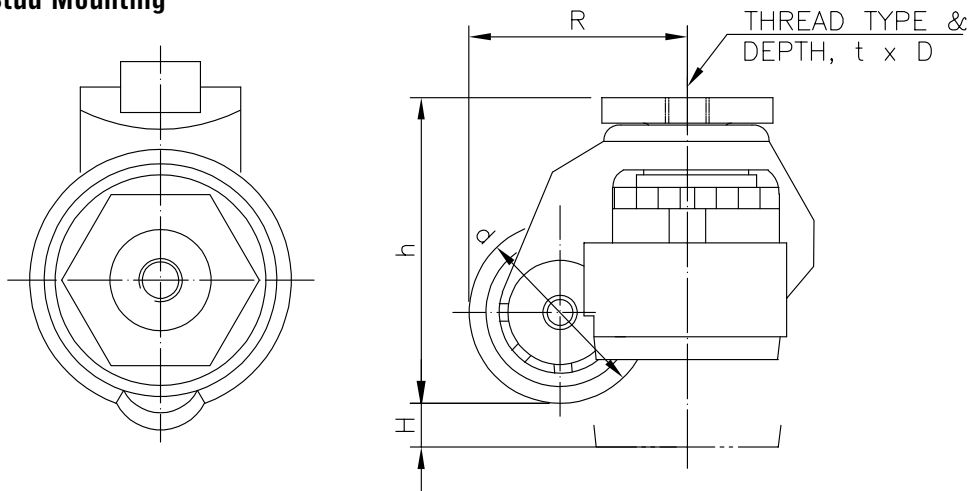
This Level Caster Product fits every mounting requirement neatly into one package; offering the functionality of three products for the price of just one. The Level Caster incorporates a high-grade nylon wheel for easy movement, a mount for precise leveling, and a rubber pad for anti-vibration control.



### Advantages

- Anti-vibration control, NBR pad
- Easy hand leveling adjustment
- 360° freedom of motion
- Die-cast aluminum frame
- Dual mounting designs
- High quality nylon wheel

### SLC-XXXS: Stud Mounting



Item Number Stud Mount	Type	Load Capacity (lbs)	Height, h (in)	Adjustment, H (in)	Wheel Dia., d (in)	Thread type, t	Depth, D (in)	Swivel Radius (R)
SLC-50S	A	50	2.87	0.39	1.65	M8 - 1.25	0.47	2.13
SLC-200SL	B	200	2.78	0.35	1.97	M12 - 1.75	0.59	2.85
SLC-300S	A	300	3.27	0.39	1.97	M12 - 1.75	0.59	2.36
SLC-600S	A	600	4.02	0.59	2.48	M12 - 1.75	0.59	3.28
SLC-1000S	A	1000	4.88	0.71	2.83	M16 - 2.0	0.63	3.52
SLC-1300S*	A	1300	4.92	0.71	2.83	M16 - 2.0	0.63	3.52

\*Level tool required for adjustment

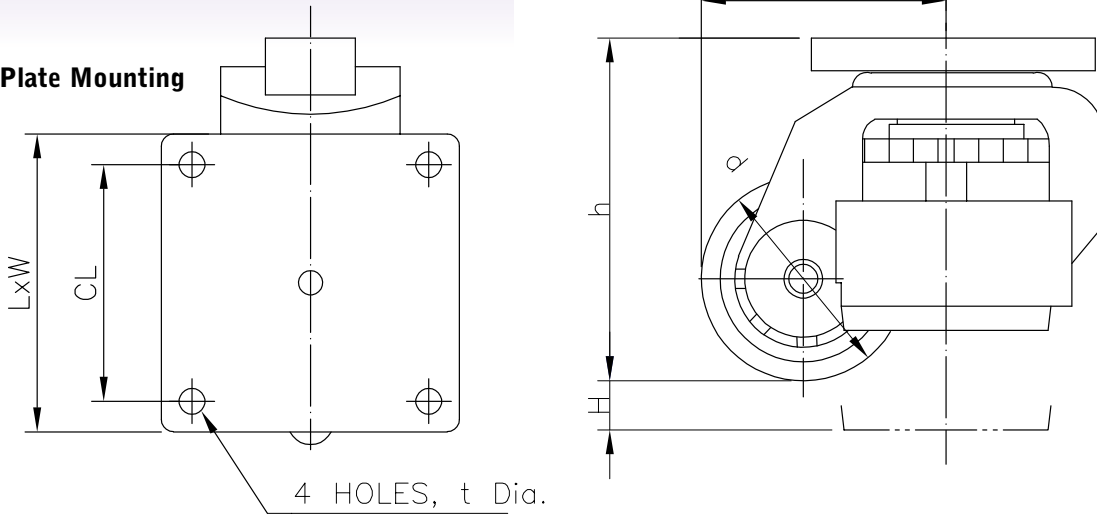


## Applications

- Packaging Equipment
- Workstations
- Telecommunications Racks
- Assembly Equipment
- Electronics Manufacturing Equipment

See our Online Specifications:  
[www.sunnexmounts.com/mounts/casters.htm](http://www.sunnexmounts.com/mounts/casters.htm)

**SLC-XXXP: Plate Mounting**



Item Number Plate Mount	Type	Load Capacity (lbs)	Height, h (in)	Adjustment, H (in)	Wheel Dia., d (in)	Hole Dia., t (in)	Hole, D (in)	Swivel Radius (R)
SLC-200PL	B	200	2.78	0.35	1.97	0.26	2.28	2.85
SLC-300P	A	300	3.27	0.39	1.97	0.26	2.28	2.36
SLC-400PL	C	400	2.99	0.39	1.97	0.35	2.76	1.99
SLC-600P	A	600	4.02	0.59	2.48	0.35	2.76	3.28
SLC-800PL	C	800	3.74	0.51	2.83	0.35	2.76	2.42
SLC-1000P	A	1000	4.88	0.71	2.83	0.43	2.76	3.52
SLC-1300P*	A	1300	4.92	0.71	2.83	0.43	2.76	3.52
SLC-1800P*	A	1800	5.12	0.98	3.62	0.51	2.76	4.56

\*Level tool required for adjustment