

MOUNTS

Anti-Vibration:

Hygienic FDA Stainless

H3A-Series

These hygienic stainless mounts by Sunnex meet all FDA and USDA requirements for food and drug processing equipment. A special rubber vulcanized to the housing produces a completely hygienic seal. In addition the ANSI 304 stainless steel provides high corrosion resistance. A full range of motion from a 10° pivot provides secure footing and complete vibration control.

This model is available in a fully FDA accepted version with or without thread casings, for maximum thread adjustment. Both versions are available in ANSI 316 SS for aggressively corrosive environments.

Alternative designs include one or two anchoring holes that secure to the floor.



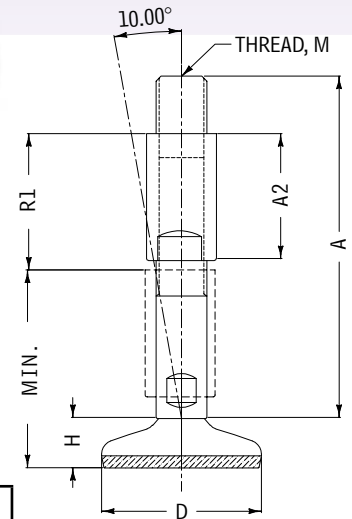
Model H3A

Applications

- Medical Equipment
- Food & Drug Processing Equipment
- Packaging Machinery
- 3A Design-Meat & Poultry Processing Equipment
- Dairy Processing Machines

Advantages

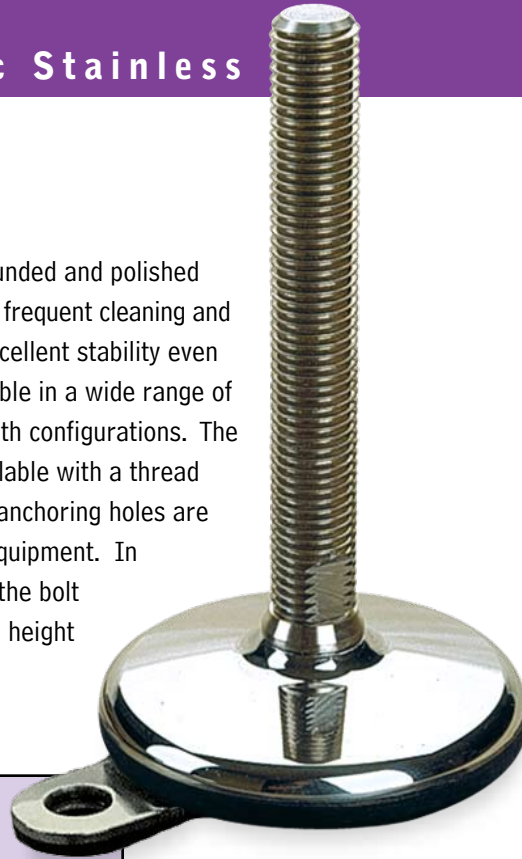
- 304 SS for high chemical resistance
- Wide temperature range: -20 to 100° C
- 10° swivel for increased stability
- Thread casing eliminates contamination
- Thread casing functions as a lock-nut



Item	Load (lbs)	Base Dia. (D)	Thread (M)	Length (A)	Base Ht. (H)	Overall (Ht)	Casing Ht. (A2)	Adjsmt (R1)	Min Ht (Min)
H603A5865R5825	1100	2.36	5/8-11	6.5	1.33	7.8	2.5	2.02	3.98
H603A3465R3425	1100	2.36	3/4-10	6.5	1.33	7.8	2.5	2.02	3.98
H603A3485R3435	1100	2.36	3/4-10	8.5	1.33	9.8	3.5	3.02	6.15
H603A185R135	1100	2.36	1-8	8.5	1.33	9.8	3.5	3.02	6.15
H803A5865R5825	2200	3.15	5/8-11	6.5	1.22	7.72	2.5	2.02	4.05
H803A3465R3425	2200	3.15	3/4-10	6.5	1.22	7.72	2.5	2.02	4.05
H803A3485R3435	2200	3.15	3/4-10	8.5	1.22	9.72	3.5	3.02	5.25
H803A185R135	2200	3.15	1-8	8.5	1.22	9.72	3.5	3.02	5.25
H1003A5865R5825	3300	3.94	5/8-11	6.5	1.34	7.84	2.5	2.02	4.29
H1003A3465R3425	3300	3.94	3/4-10	6.5	1.34	7.84	2.5	2.02	4.29
H1003A3485R3435	3300	3.94	3/4-10	8.5	1.34	9.84	3.5	3.02	5.47
H1003A185R135	3300	3.94	1-8	8.5	1.34	9.84	3.5	3.02	5.47
H1203A5865R5825	5500	4.72	5/8-11	6.5	1.5	8	2.5	2.02	4.4
H1203A3465R3425	5500	4.72	3/4-10	6.5	1.5	8	2.5	2.02	4.4
H1203A3485R3435	5500	4.72	3/4-10	8.5	1.5	10	3.5	3.02	5.59
H1203A185R135	5500	4.72	1-8	8.5	1.5	10	3.5	3.02	4.4

Hygienic M-Series

The Sunnex Hygienic M-Series has a rounded and polished surface design for applications requiring frequent cleaning and wash-downs. The 5° swivel provides excellent stability even on inclined surfaces. Models are available in a wide range of load capacities, bolt diameters and length configurations. The Hygienic-M Series mounts are also available with a thread casing for added cleanliness. Optional anchoring holes are available to provide easy fastening of equipment. In addition, integrated adjustment flats in the bolt allow full adjustment without sacrificing height even in a blind hole design.



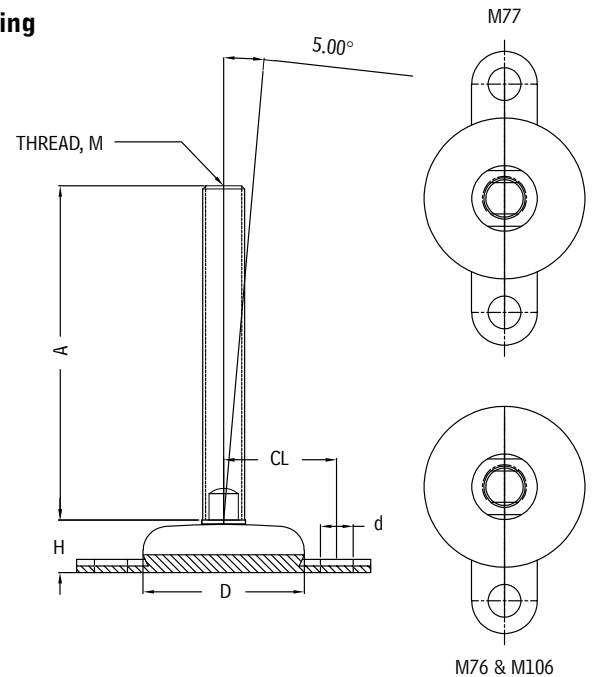
Applications

- Conveyors
- Material Handling Equipment
- Vibratory Feeders
- Shaker Bowls
- Automated Assembly Equipment
- Production Conveyors
- Packaging Filling Machines

Advantages

- Rubber meets FDA standard
- 177.2600 for food grade requirements
- Rubber permanently vulcanized to housing for hygienic seal
- Wide temperature range: -20° to 100° C
- 5° swivel for increased stability

Model M-Anchoring



Item	Load (lbs)	Base Dia. (D)	Thread (M)	Length (A)	Base H	Overall Ht	Hole (d)	Center (CL)
M76124	1770	2.95	1/2-12	4.0	0.87	4.87	0.63	2.05
M76584	1770	2.95	5/8-11	4.0	0.87	4.87	0.63	2.05
M76586	1770	2.95	5/8-11	6.0	0.87	6.87	0.63	2.05
M76346	1770	2.95	3/4-10	6.0	0.87	6.87	0.63	2.05
M77124	1770	2.95	1/2-12	4.0	0.87	4.87	0.63	2.05
M77584	1770	2.95	5/8-11	4.0	0.87	4.87	0.63	2.05
M77586	1770	2.95	5/8-11	6.0	0.87	6.87	0.63	2.05
M77346	1770	2.95	3/4-10	6.0	0.87	6.87	0.63	2.05
M106124	2220	3.94	1/2-12	4.0	1.26	5.26	0.63	2.64
M106584	2220	3.94	5/8-11	4.0	1.26	5.26	0.63	2.64
M106586	2220	3.94	5/8-11	6.0	1.26	7.26	0.63	2.64
M106346	2220	3.94	3/4-10	6.0	1.26	7.26	0.63	2.64

See our Online Specifications:

www.sunnexmounts.com/mounts/hygienicHa.htm
www.sunnexmounts.com/mounts/hygienicM.htm