

# TYPE G

This high load capacity model is suitable for machines exposed to thermal expansion and contraction (ovens and freezers).

Smoothly rounded design for ease of cleaning.

Also available with anti-slip rubber.

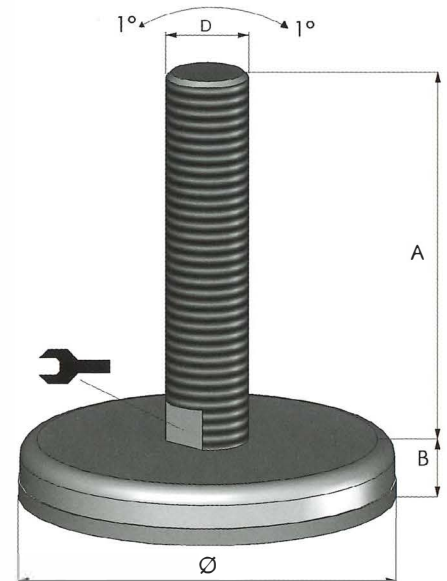


### Ordering example:

G90 - 5/8" - 4"



Foot plate				
	G 90	G 110	G 150	G 180
Diameter Ø	3.54"	4.33"	5.91"	7.09"
Height B with rubber	0.67"	0.67"	0.67"	0.75"
Height B w/o. rubber	0.47"	0.47"	0.47"	0.55"
Nom. load	70.000 N	70.000 N	100.000 N	120.000 N



Foot plate and thread can be combined freely.

Thread						
Length A*	D	D	D	D	D	D
	1/2"UNC	5/8"UNC	3/4"UNC	7/8"UNC	1"UNC	1 1/4"UNC
4"	4,45	5,90	8,16	10,39	14,65	20,44
6"	5,07	7,03	10,06	13,42	18,70	25,06
8"	5,43	7,98	11,52	15,26	22,10	29,98
10"	6,10	9,11	13,41	17,34	26,58	37,40
3/8"	3/8"	1/2"	9/16"	5/8"	3/4"	1"

\* For exact A-dimensions, please see chapter 10.2