

TYPE M HYGIENIC

The rounded smooth surfaces are specially designed to conform with the guidelines stated in the USDA standard for "supports" machine feet. The sleeve covers the thread surface and also functions as a nut.

This machine foot admits up to 5° slopes on floors and equipment.



Foot plate


	M 40	M 50	M 75	M 100	M 105	M 125	M 150	M 180
Diameter Ø	1.57"	1.97"	2.95"	3.94"	3.94"	4.92"	5.91"	7.09"
Height B	0.79"	0.83"	0.87"	1.26"	1.18"	1.46"	1.57"	1.57"
Nom. load	2.500 N	4.000 N	10.000 N	22.000 N	12.000 N	30.000 N	45.000 N	50.000 N

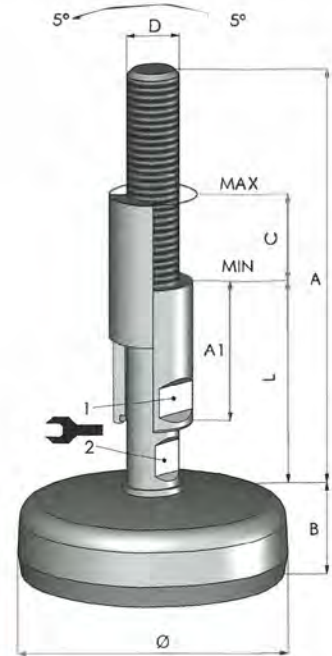
2.9

Thread

Item no.	Thread D	Length A	Length L	
3A 580652	5/8"	6.5"	3.54"	1/2"
3A 580852	5/8"	8.5"	4.56"	1/2"
3A 340652	3/4"	6.5"	3.54"	9/16"
3A 340852	3/4"	8.5"	4.56"	9/16"
3A 100652	1"	6.5"	3.54"	3/4"
3A 100852	1"	8.5"	4.56"	3/4"
3A 114652	1 1/4"	6.5"	3.54"	1"
3A 114852	1 1/4"	8.5"	4.56"	1"

Sleeve

Item no.	Thread D	Diameter Ø1	Length A1	Length C	
RHO 580025	5/8"	0.96"	2.5"	1.91"	3/4"
RHO 580035	5/8"	0.96"	3.5"	2.91"	3/4"
RHO 340025	3/4"	1.17"	2.5"	1.91"	1"
RHO 340035	3/4"	1.17"	3.5"	2.91"	1"
RHO 100025	1"	1.29"	2.5"	1.91"	1 1/8"
RHO 100035	1"	1.29"	3.5"	2.91"	1 1/8"
RHO 114025	1 1/4"	1.55"	2.5"	1.75"	1 3/8"
RHO 114035	1 1/4"	1.55"	3.5"	2.75"	1 3/8"



Ordering example:

M75 - 3A580652 - RHO580025

